

electric height adjustable desk/light desk



ASSEMBLY & USE INSTRUCTIONS

CAUTION / INFORMATION



Make sure no obstacles are in the desk's path.
Make sure the desktop is not touching any walls.
Make sure all cords are appropriate length to accommodate the change in height.



WARNING

Pinch Point
Keep hands and fingers clear.



Keep children away from electric height-adjustable desks, control units and handsets. There is a risk of injury and electric shock.



Keep all electrical components away from liquids.



Do not sit or stand on the desk frame.
Do not crawl or lie under the desk frame.



Do not place any objects taller than 590mm underneath the desk.



Do not open any of the components-the Legs, Control Box, or Switch
There is a danger of electric shock



This product is designed with a duty cycle of 10%
(2min.on, 18min.off).



In the event of a power outage or if the power cord is unplugged,
a manual reset may be necessary – see USE section.



USE / LIABILITY

This height adjustable desk has electric motors and is designed for use in dry work areas only.

The desk height is adjustable so that it can be positioned at the most ergonomically suitable height.

Any other use is at user's risk.

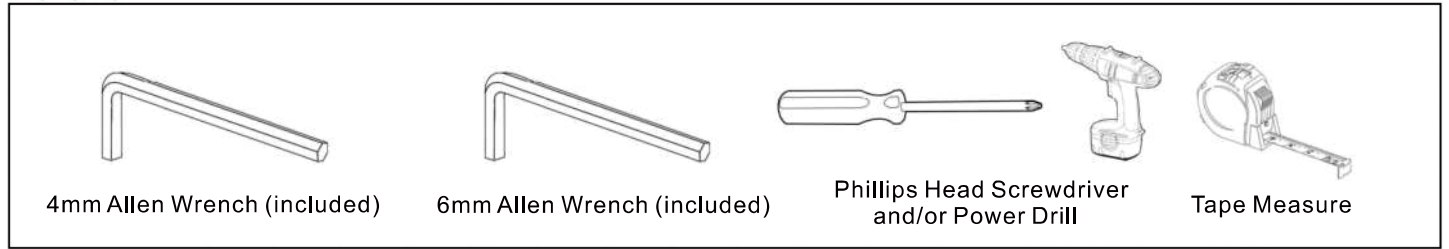
Under no circumstances does the manufacturer accept warranty claims or liability claims for damages caused from improper use or handling of the desk frame.

IMPORTANT:

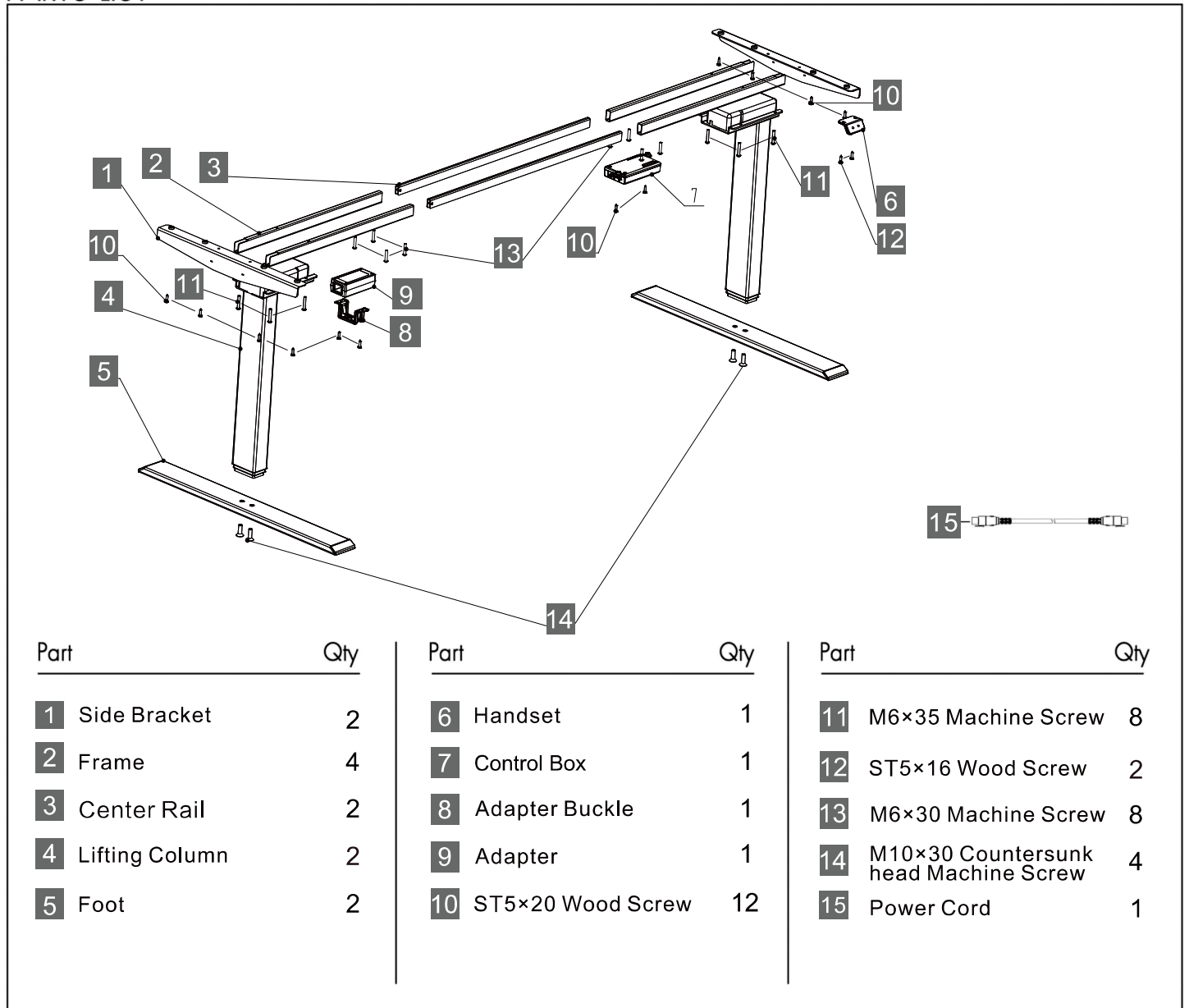
Please read this manual carefully.

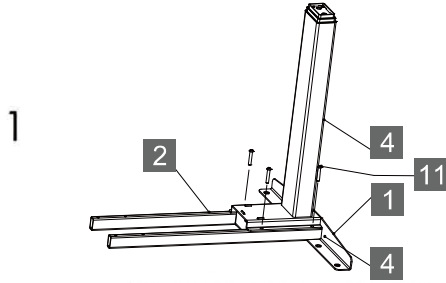
If this desk is sold, please provide this manual to the buyer.

TOOLS

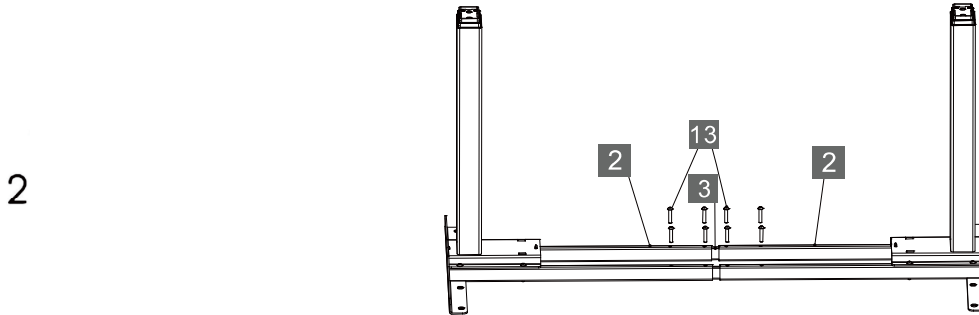


PARTS LIST



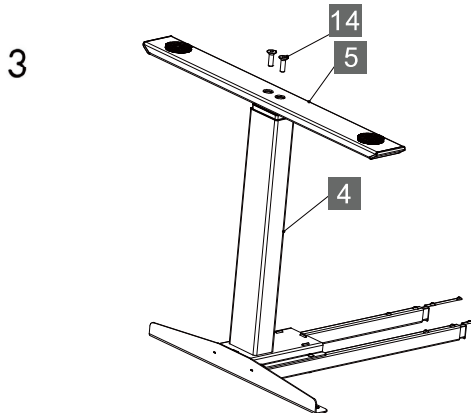


Align the holes of the side bracket (1), the frame (2), and the lifting column (4). Then put the M6×35 machine screw with round head (11) into the holes, and tighten the screws with a 4MM hexagon wrench. Repeat on the other side.

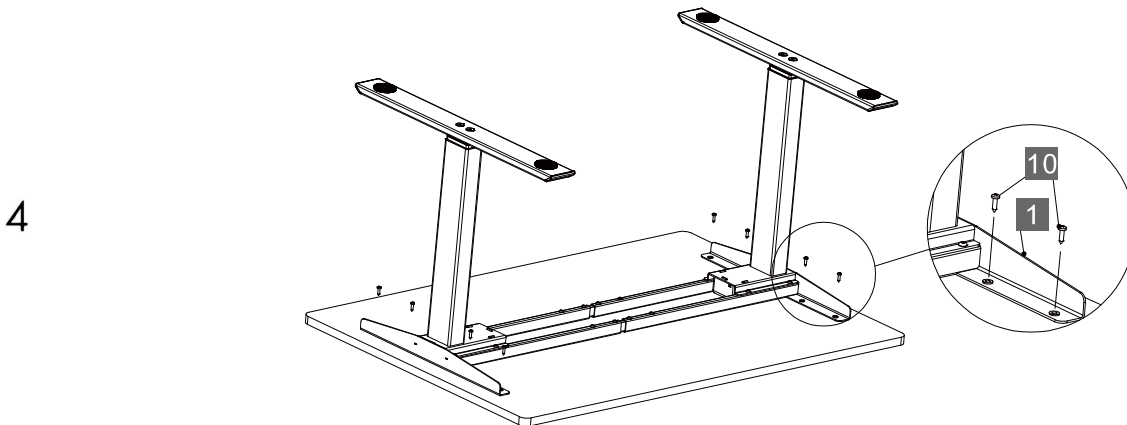


Insert the center rail (3) into the frame (2) on both sides, and adjust the appropriate position (note: the word "MAX" on the center rail can't be completely exposed). Then put the M6 x30 machine screw with round head (13) into the position as shown in the figure, and tighten with a 4MM hexagon wrench.

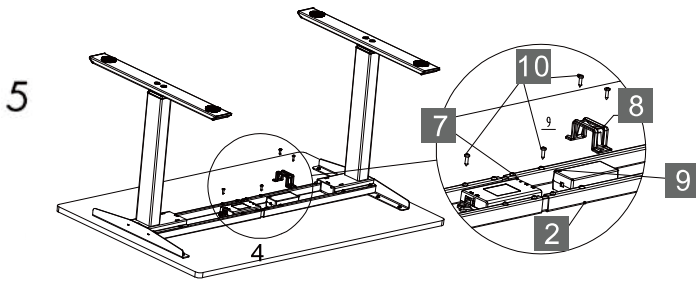
i If you drop a screw inside the frame end, simply tilt to retrieve. **i**



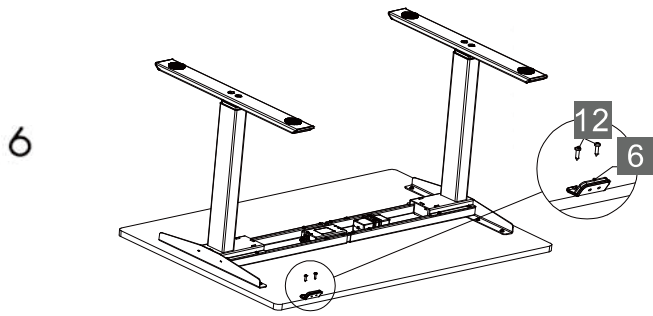
Align the holes on the foot (5) with the holes on the lifting column (4). Put the M10×30 countersunk head machine screws (14) into the foot, and tighten the screws with a 6MM hexagon wrench.



Put the table frame on the desktop and adjust the position of the table frame to the middle of the desktop. Put the ST5×20 wood screws (10) into the corresponding holes on the side bracket (1) and fix them with a Phillips screwdriver.



Put the control box and adapter (9) into the middle of the frame (2). Fix with tapping screw (10) into the holes on both sides of the control box. Put the adapter buckle (8) on the adapter, and fix the ST5×20 wood screws **into** the holes on both sides of the adapter buckle. Plug the motor wire of the column into the control box. Plug the wire of the adapter into the control box.



Put the handset (6) on the edge of the desktop where you like. Fix with ST5×16 wood screws (12) the handset on the desktop. Plug the wire of the handset into the control box.

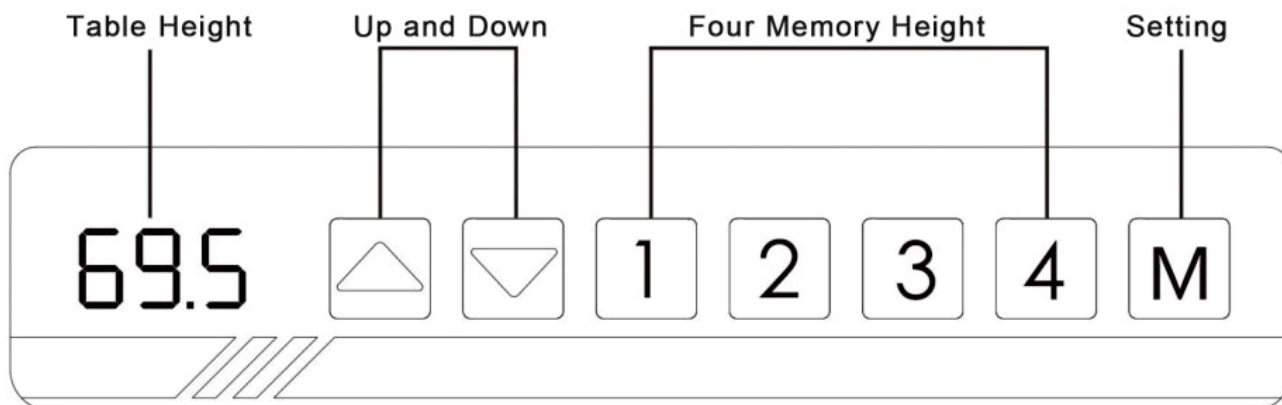
7 Turn the assembled desk right-side up. With at least two people, grab the DESK BASE (not the desktop) and turn the desk right-side up. Adjust the pre-installed glides on the Feet (part 5) as needed.

8 Plug the Power Cord (part 15) into a 230V outlet.

SPECIFICATIONS

Height Range	590mm – 1240mm(without desktop)
Base Width	1080mm min. – 1600mm max.
Speed	32mm/s
Load Capacity	800N
Duty Cycle	10% Max. 2 mins on, 18 mins off

Setting and Using

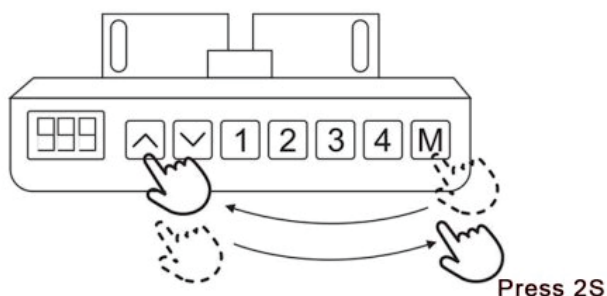
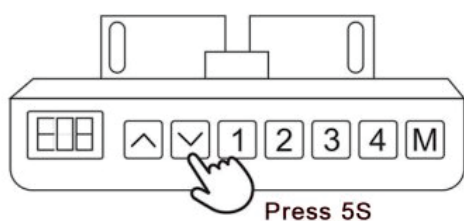


Note

1. Please make sure no obstacles during up and down.
2. Don't make the desktop attach to the wall.

Suggestion

set height 1 as the most comfortable height when you sitting; set height 2 as the most comfortable height when you standing; set height 3 and height 4 as what you needed



Abnormal Reset

Condition

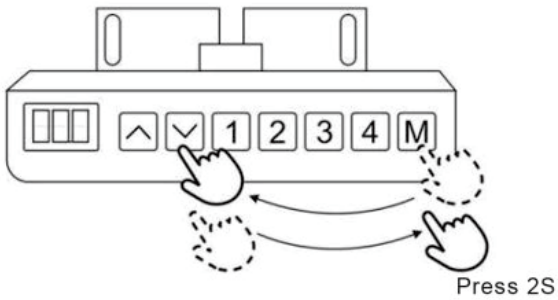
Error E07–E09 (Even if it is restarted, it is still an error display and pressing any key doesn't work.)

Operation

After pressing the down button for 5 seconds, the display shows RST. Release the button then press the down button again to reset.

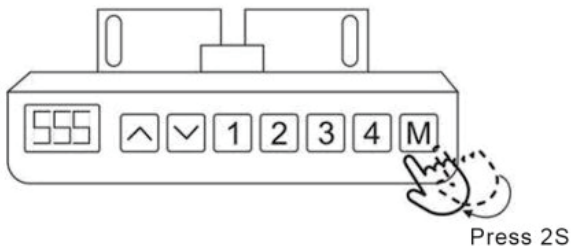
Set Highest Limit

Press M button, the screen shows "s-", then release the button. Press the rising key, after the screen flashes, release the button. Then press M button again for 2 second, and the screen shows "999". It is completed.



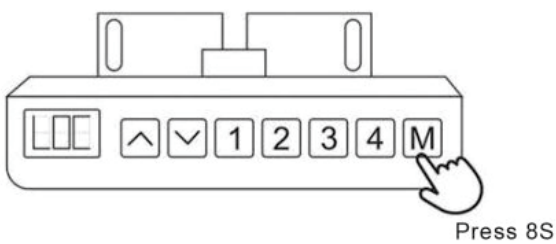
Set Lowest Limits

Press M button, the screen shows “s-”, then release the button; Press the down key, after the screen flashes, release the button; Then press M button again, keep 2 seconds, the screen shows “000”; It is completed.



Cancel Limits

Press M button, the screen shows “s-”, then release the button; Press M button again, keep 2 seconds, the screen shows “555”; Delete the highest and lowest limit setting.

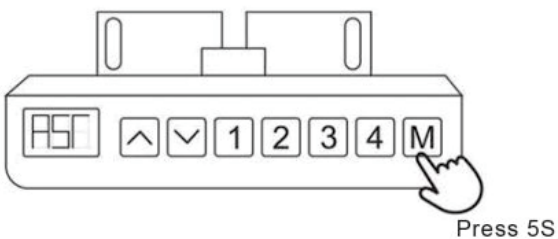


Locking

Press M button, the screen shows “s-”, keep it for 5 seconds; The screen returns the number, continue to hold the M button for 3 seconds; The screen shows LOC to complete the lock.

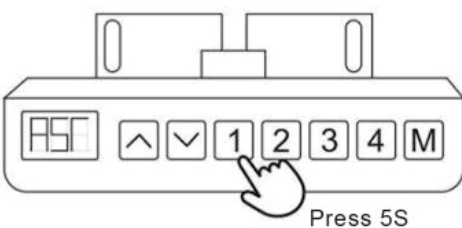
Unlocking

In the LOC situation, press the button for 8 seconds; When the screen displays the number, it is unlocked.



Adjust the Minimum Height

Under the reset situation, it shows RST, press M button for 5 seconds, screen shows height and flashes; Then press up or down button to adjust the height to what you need; Release the button for 5 seconds, the screen shows RST, successfully adjust.

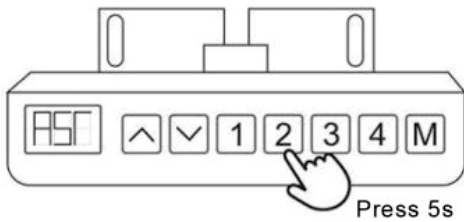


Memory Point Continuous Switching

Under the Reset situation, it shows RST; Press key 1 for 5 seconds, switch memory point and memory continuous change:

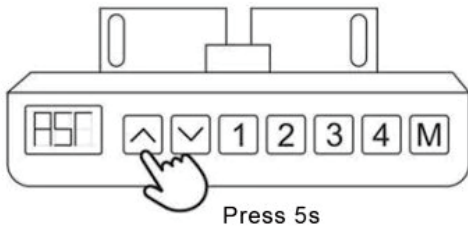
Screen shows “10.1” memory point continuous change.

Screen shows “10.2 ” memory point change.



Switch cm or inch

Under the Rest situation, it shows RST; Press key 2 for 5 seconds, switch inch or cm; Screen shows "10.3", the unit of height is cm. Screen shows "10.4", the unit of height is inch.



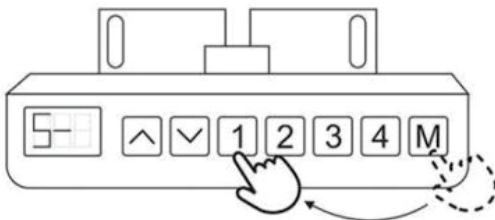
Resisting Fallback Sensitivity Selection

Under the reset situation, it shows RST; Press up bottom for 5 seconds can adjust the resisting fallback sensitivity; Screen display:

"10.5"-10kg

"10.6"-15kg

"10.7"-20kg



Memory Position Setting

Press M button, when screen shows "S-", choose and press one of memory key and this position will be remembered; Press up or down button, to lift what you wanted and repeat the above method.

Common Problems and Methods

1. If you have such problems as below, you can try to reset (see the page 9):
 - a. Abnormal work
 - b. screen shows RST(reset)
 - c. screen shows error information(E01-E13), but the motor drive wire still works
2. If screen shows HOT(hot), please power off for 20 minutes.